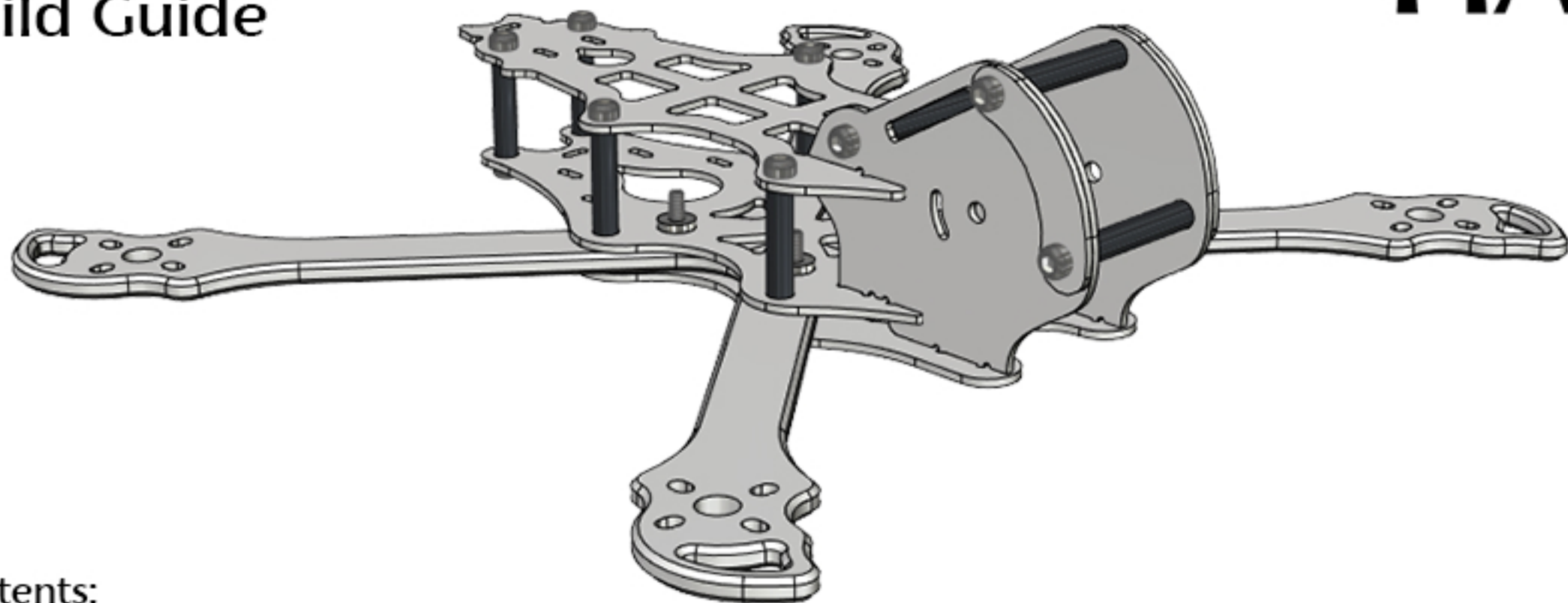


ARCHON

Build Guide



Kit Contents:

Nuts & Bolts:

- A - 14mm M3 Steel (4)
- B - 12mm M3 Steel (4)
- C - M3 Clinch Nut (4)
- D - M3 6mm 7075 (8)
- E - M3 10mm 7075 (6)

Standoffs:

- F - 20mm Knurled (6)
- G - 28mm Knurled (3)

Carbon Parts:

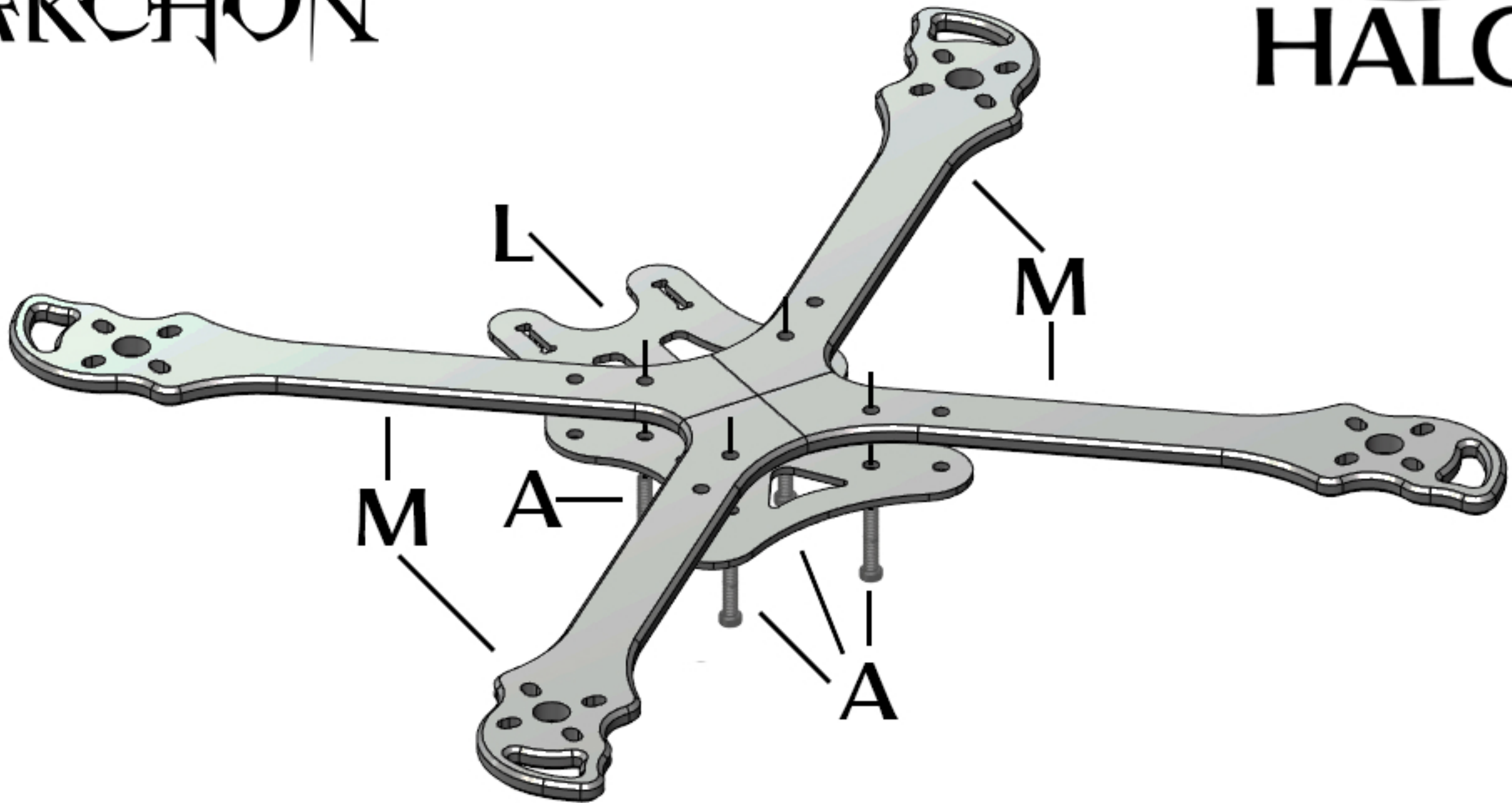
- H - Camera Plate (2)
- I - Camera Brace (2)
- J - Top Plate (1)
- K - Middle Plate (1)
- L - Bottom Plate (1)
- M - Chamfered Arm (4)

TPU Parts (optional):

- N - Tension Wedge (2)
- O - Slot Wedge (2)

ARCHON

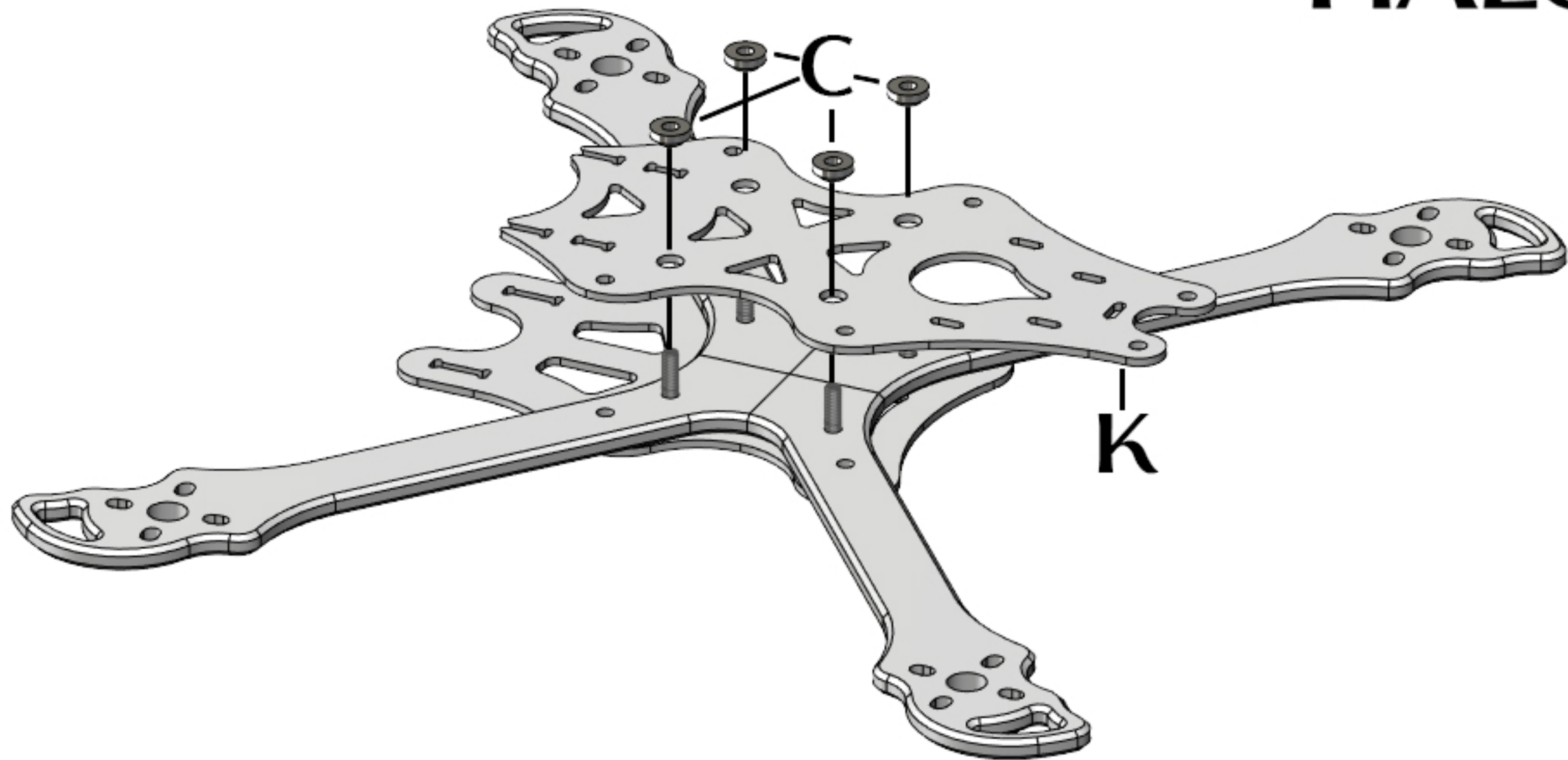
HALO



ARCHON



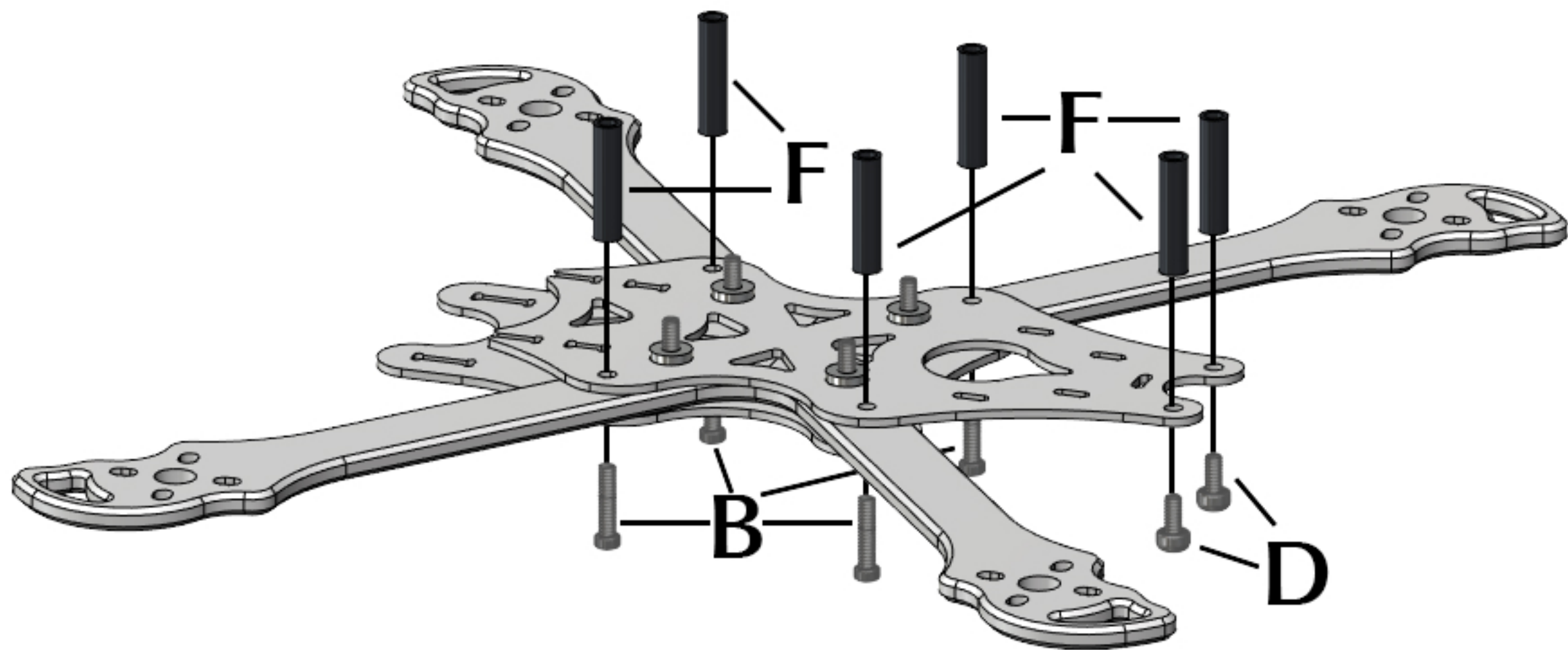
HALO



ARCHON



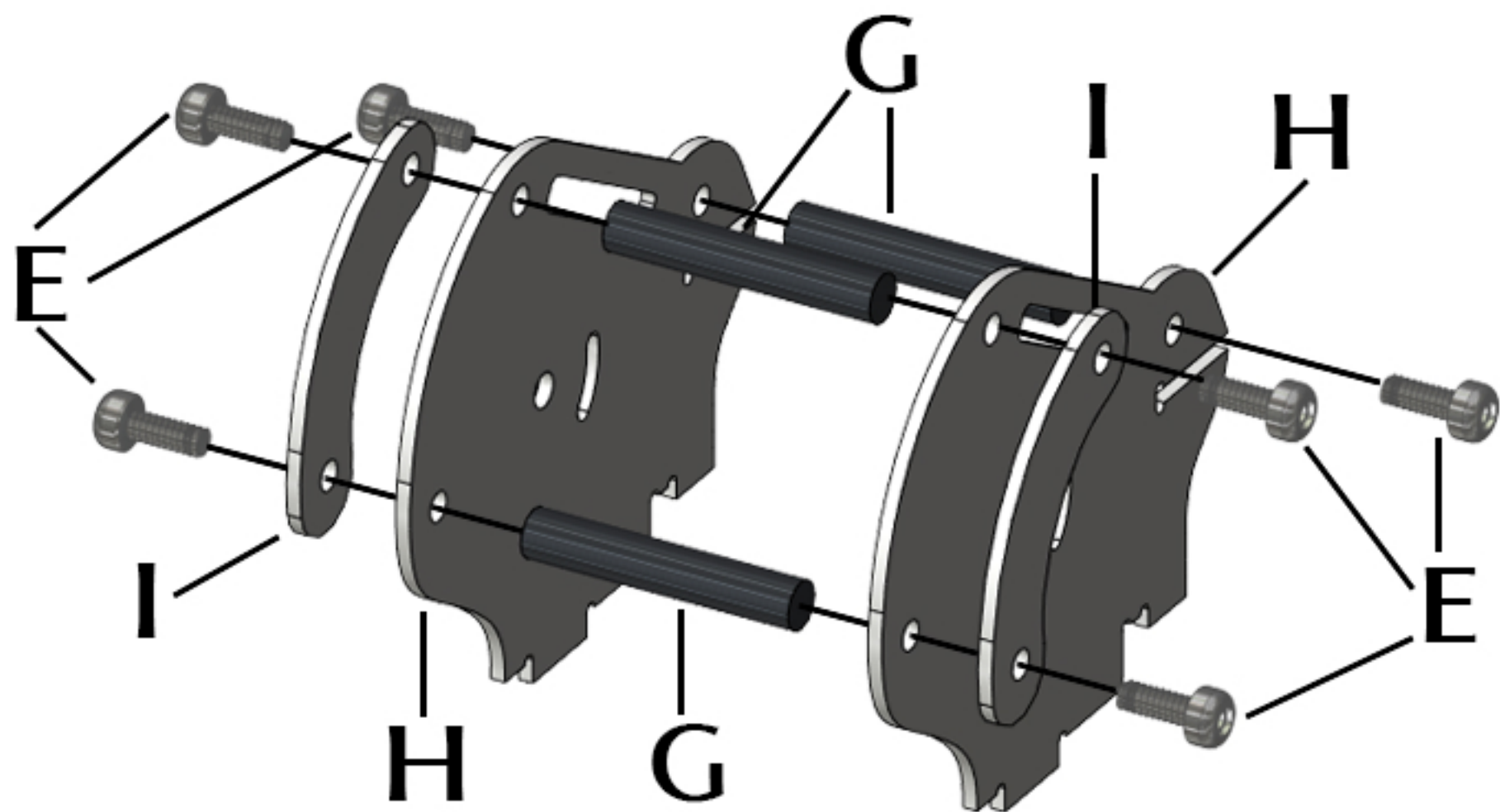
HALO



ARCHON

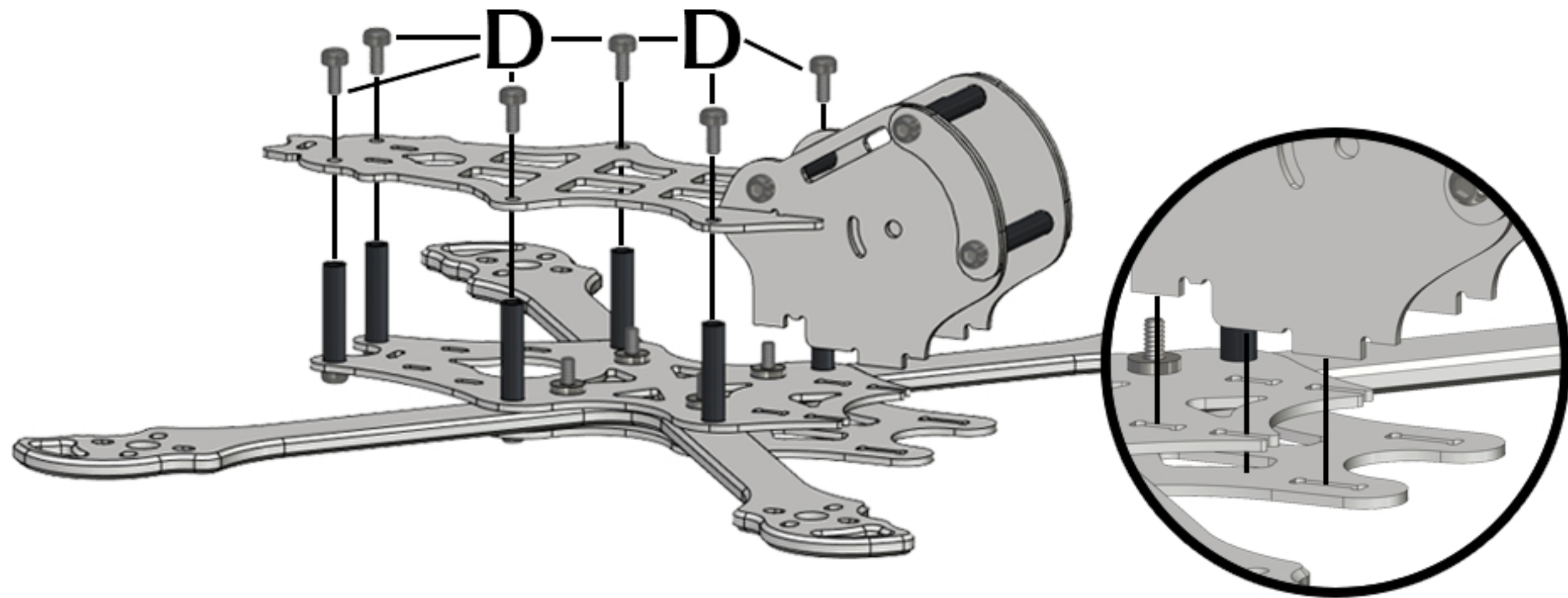


HALO



ARCHON

HALO



ARCHON



HALO

These optional TPU parts are used to create a tighter fitting camera pod.

They deal with any difference in thickness of the carbon fibre ($\pm 0.2\text{mm}$).

